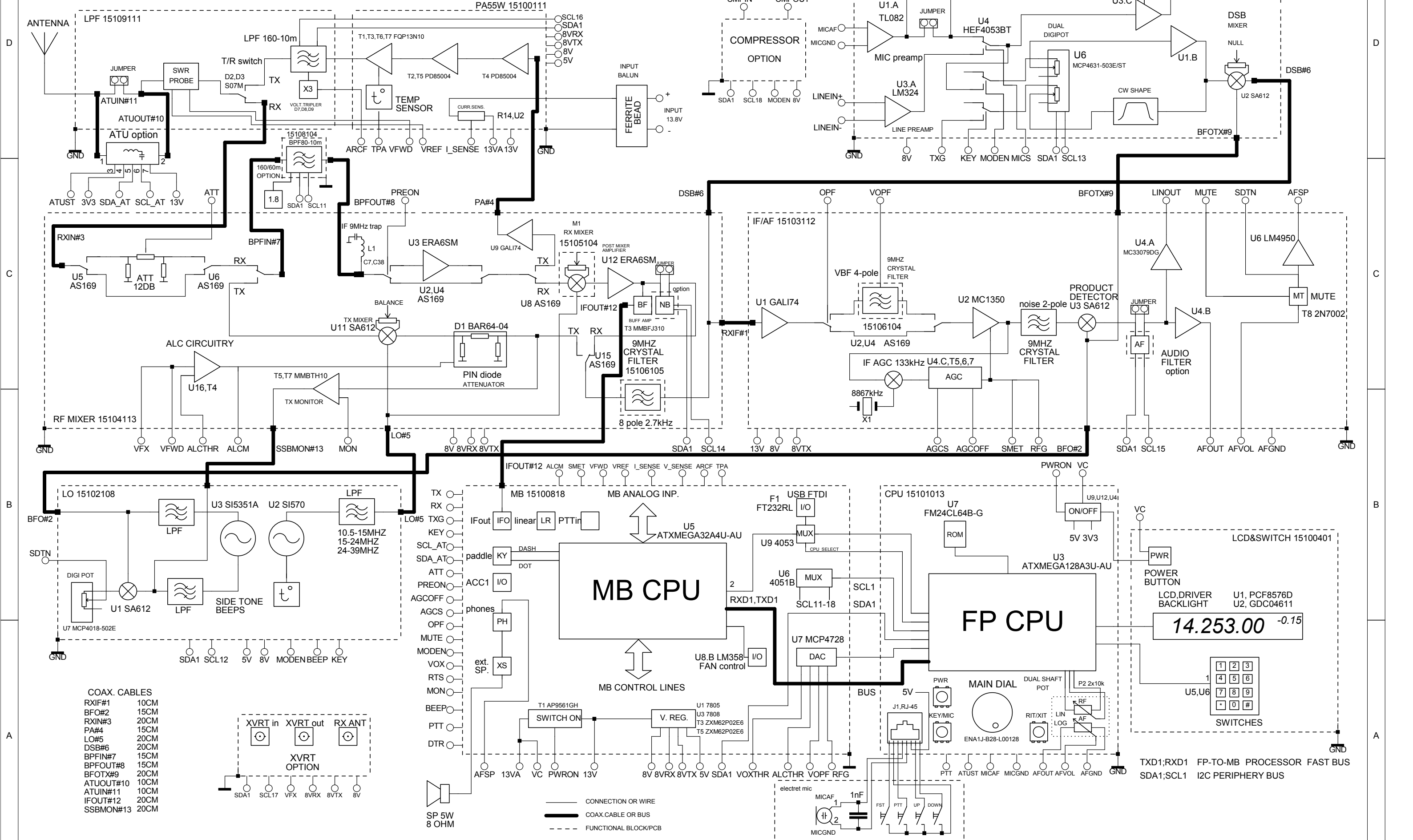
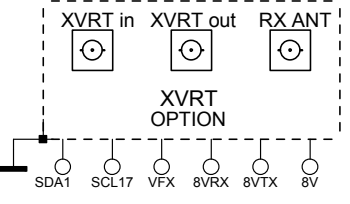


# RGO ONE BLOCK DIAGRAM



- COAX. CABLES**
- RXIF#1 10CM
  - BFO#2 15CM
  - RXIN#3 20CM
  - PA#4 15CM
  - LO#5 20CM
  - DSB#6 20CM
  - BPFIN#7 15CM
  - BPFOUT#8 15CM
  - BFOTX#9 20CM
  - ATUOUT#10 10CM
  - ATUIN#11 10CM
  - IFOUT#12 20CM
  - SSBMON#13 20CM



**14.253.00 -0.15**

LCD, DRIVER, BACKLIGHT U1, PCF8576D  
U2, GDC04611

SWITCHES U5, U6

TXD1;RXD1 FP-TO-MB PROCESSOR FAST BUS  
SDA1;SCL1 I2C PERIPHERY BUS